



The Bhagirathi Co-op. Milk Producers' Union Ltd.

Feeder Dairy: P.O-Berhampore: PIN -742101: Dist.-Murshidabad
e-mail: bhagirathi6@rediffmail.com; website: www.bhagirathimilk.com

BU/MDO/RIDFXXIX/2756

Dated: 07.03.2024

Reverse Auction for Supply of 300 No(s) Aluminium milk cans (40 Ltr) with Lid

Scope of Work: Supply of Aluminium Cans (40 Ltr) with Lid

Quantity Required: 300 No(s)

Technical Specification: As per Annexure-A

Tentative Delivery/Supply Schedule: Within 15 days of placement of Purchase Order cum Award of Contract.

Documents to be furnished by bidder for Technical Bidding

1. Minimum 5 years of experience in supply of at least 3000 no(s) Aluminium Milk Cans. Credential (Completion Certificate) in support of the same must be uploaded/submitted.
2. GST Registration Certificate.
3. PAN Card.
4. Minimum turnover of 1 crore in last 3 years (2021-2022), (2022-2023), (2023-2024). Audited Balance Sheet in support of the same must be uploaded.
5. **Declaration as per Annexure-B**

General Terms and Condition:

1. **Rate to be quoted by the Bidder:** Rate should be Quoted by the bidder shall be inclusive of all Taxes and Levies, GST other charges/ taxes if any for the delivery of the Materials in the office of the Bhagirathi Cooperative Milk Producers' Union Ltd.
2. **Place of Delivery:** In the Office of the Bhagirathi Co-operative Milk Producers' Union (BCMPUL) Feeder Dairy, Panchanantala, Berhampore, Murshidabad, W.B. 742102.
3. **Price Escalation:** The price should quoted fixed and shall not be subjected to any escalation.
4. **Warranty:** 1 year warranty to be provided by the Principal Company/ Supplier.
5. **Documents:** All the delivery of the Materials should accompany with Original and three copies of:
 - The supplier's Tax invoice showing Purchase Order No., Goods Description, Quantity, Unit price, Total amount, applicable GST rate & amount, HSN code etc.
 - Manufacturer's / Supplier's Warranty Certificate, if applicable.
 - Any other document evidencing payment of statutory levies.
6. **Payment Terms:** Payment shall be released in 2 phases in NEFT/RTGS to the Bank Account of the supplier after submission of 3 copies of invoice along with documents mentioned in documentation clause which are as follows:



The Bhagirathi Co-op. Milk Producers' Union Ltd.

Feeder Dairy: P.O-Berhampore: PIN -742101: Dist.-Murshidabad
e-mail: bhagirathi6@rediffmail.com; website: www.bhagirathimilk.com

- a. **First Phase:** 90% payment shall be made within 30 days of successful delivery of the Materials in good condition certified by the concerned official and approved by the Competent Authority.
 - b. **Second Phase:** Balance 10% will be released on submission of Performance Bank Guarantee of equivalent amount for one year from the date of acceptance of material. The payment shall be withheld, in case of violation of any tender terms & conditions.
7. **Mode of Transport & Transit Insurance:** Mode of transportation and transit insurance for the supply of the goods will be arranged by the supplier.
 8. **Unloading of Material:** Unloading of goods shall be the sole responsibility of the supplier. If the Milk Union makes unloading arrangements on behalf of the supplier the cost of unloading shall be deducted from the bills of the supplier. The unloading shall be done within office hours. (10:00 am to 06:00 pm).
 9. **Acceptance of Material:** Quantitative Test and Qualitative tests (like drop tests and pressure tests) may be carried out as per BIS norms prior to acceptance of material. Material must be suitably packed and transported such that it does not contain scratches, dents etc. Material supplied should meet the functional requirements and conform to technical specifications as enshrined in this document. Materials not adhering to specifications and not meeting functional requirements shall be rejected. Upon rejection the material must be lifted by the supplier from the warehouse of the Milk Union within 30 days, failing to which the Milk Union shall dispose the material and no claim in this regard shall be entertained.
 10. **Liquidated Damage:** If materials are not delivered within due date and time the Milk Union reserves the right to impose a penalty Rs. 500/- per day subject to a maximum of 10% of the total cost and the damage shall be recovered from the bills of the supplier.
 11. **Cancellation of Contract:** If the materials are not delivered in a reasonable time, then the Milk Union reserves the right to cancel the Contract/Order. Upon cancellation of the Order the bidder shall be blacklisted by the Milk Union.
 12. **Dispute Resolution:** Any dispute arising out of the Agreement, which cannot be amicably settled between the parties, shall be referred to adjudication/arbitration in accordance with the Arbitration and Conciliation Act of 1996 of India. The venue of adjudication/arbitration shall be Kolkata. The language of arbitration shall be English.
 13. **Force Majeure:** If, at any time during the subsistence of this contract, the performance in whole or in part by either party of any obligation under this contract is prevented or delayed by reasons of any war or hostility, act of public enemy, civil commotion, sabotage, fire, floods, explosion, epidemics, quarantine restriction, strikers lockout or act of God (hereinafter referred to as events) neither party shall have any claim for damages against other in respect of such non-performance or delay in performance.
 14. The order shall also take the General Terms and Conditions stipulated by NCDFI in the Reverse Auction Notice referred above.

Sd/-

Managing Director
The Bhagirathi Cooperative
Milk Producers' Union Limited



The Bhagirathi Co-op. Milk Producers' Union Ltd.

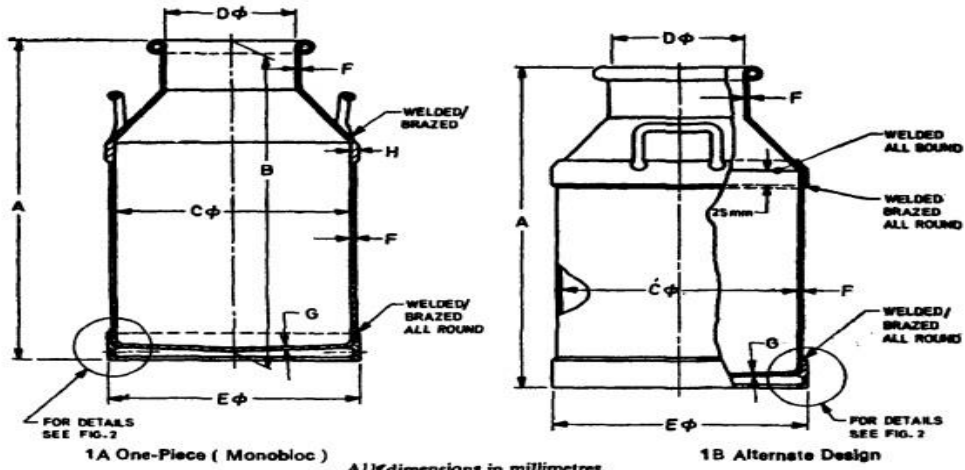
Feeder Dairy: P.O-Berhampore: PIN -742101: Dist.-Murshidabad
e-mail: bhagirathi6@rediffmail.com; website: www.bhagirathimilk.com

Annexure-A

Technical Specifications

Specification of 40 L Aluminium milk cans with lid (confirming to BIS /NDDB)

Sl. No.	Particulars	Specification
1.	Size in litres	40 + 0.8 ltrs
2.	MOC	Aluminium
3.	Weight per Pc	5.640 Kg Minimum
4.	Weight of lid per Pc	0.860 Kg Minimum
5.	Total Weight of Can	6.50 Kg Minimum
6.	Hardness in BHN	85 BHN Minimum
7.	Body thickness	2.2 mm Minimum
8.	Neck & shoulder thickness	2.0 mm Minimum
9.	Bottom thickness	3.0 mm Minimum
10.	Overall height	591 + 4 mm
11.	Insider diameter of neck	200 + 0.5 mm
12.	Inside diameter of body	340 + 3 mm Diameter at
13.	Diameter at Base	352 + 3 mm
14.	Anodizing film thickness	12 Micron Minimum
15.	Markings	BIS Mark BCMPUL-2025 must be inscribed



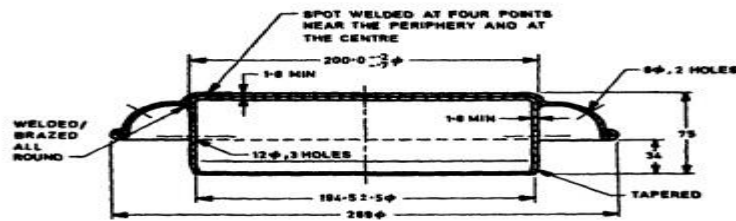
All dimensions in millimetres.

CAPACITY (IN LITRES)	A	B	Cφ	Dφ	Eφ	F Min	G Min	H Min
20	447 ± 4	431 ± 3	280 ± 3	200 ± 0.5	292 ± 3	1.6	2.0	2.5
30	512 ± 4	496 ± 3	320 ± 3	200 ± 0.5	332 ± 3	2.0	3.0	2.5
40	591 ± 4	575 ± 3	340 ± 3	200 ± 0.5	352 ± 3	2.0	3.0	2.5
50	651 ± 4	634 ± 3	360 ± 3	200 ± 0.5	372 ± 3	2.0	3.0	2.5

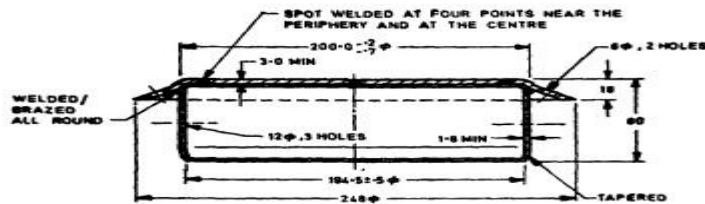
FIG 1. TYPICAL ALUMINIUM ALLOY MILK CANS—TRANSPORT TYPE (20, 30, 40 AND 50 LITRES)

IS : 1825 - 1983

IS : 1825 - 1983



4A For 30-, 40- and 50-Litre Cans



4B For 20-Litre Cans
Transport or Delivery Type
All dimensions in millimetres.

FIG. 4 LIDS FOR ALUMINIUM ALLOY MILK CANS

Sd/-
Managing Director
The Bhagirathi Cooperative
Milk Producers' Union Limited



The Bhagirathi Co-op. Milk Producers' Union Ltd.

Feeder Dairy: P.O-Berhampore: PIN -742101: Dist.-Murshidabad
e-mail: bhagirathi6@rediffmail.com; website: www.bhagirathimilk.com

ANNEXURE-B

AFFIDAVIT

(To be furnished in a Twenty Rupees Non-Judicial Stamp Paper duly certified by Notary Public)

1. I/We the undersigned solemnly declare that all the statements made in the documents, records etc., attached with this application are true and correct to the best of my/our knowledge.
2. I/We the undersigned do hereby certify that neither my/our firm/company nor any of its constituent partners have abandoned any work/works of similar nature and magnitude in India, in the past.
3. I/We the undersigned do hereby certify that our firm/company has never been blacklisted by any organization/Milk Union/Milk Federation in the past.
4. I/We the undersigned authorize (s) and request any bank / person / firm / corporation / Government Departments to furnish pertinent information deemed necessary and requested by The Bhagirathi Cooperative Milk Producers' Union Ltd. to verify the statement made by me/us or to assess my/our competence and general reputation.
5. I/We the undersigned, understand(s) that further qualifying information / clarifications on the statement made by me / us may be requested by The Bhagirathi Cooperative Milk Producers' Union Ltd and agree(s) to furnish such information/clarification within SEVEN Days from the date of receipt of such request from The Bhagirathi Cooperative Milk Producers' Union Ltd.
6. I/We the undersigned solemnly declare to abide the terms and conditions of the Tender document.

Dated Signature of Applicant with Seal:

To be signed by the officer authorized by the Firm/
Company to sign on behalf, the Firm /
(Company with company's seal)

Note: In case of sole proprietary concern, affidavit should be signed only by the
Sole proprietor.

(Title of the Officer)

(Title of the firm/Company)

(Date)

The above-named deponent has understood the contents well and

Solemnly and sincerely declared and affirmed by the deponent in my presence at.....and signed before me
on this day of..... (Seal).

(Signature of the Notary Public)